

Series 1008

**Zetco WaterMarked
& AGA Approved
DZR Brass Ball Valve M&F
S/Steel Lockable Lever**

DESCRIPTION

A male and female threaded DZR brass ball valve WaterMark approved to AS 5830.1 (Licence WM-000110) and AGA approved to AS 4617 (Approval No. 5301). Dual approval makes this a versatile valve for potable water and gas installations and for added safety and security, the locking mechanism enables the valve to be locked in either the fully open or fully closed position.

FEATURES

Design	<p>Forged dezincification resistant brass body</p> <p>Robust stainless steel 316 lever handle, locking mechanism & nut</p> <p>PTFE ball seals for smooth, reliable operation</p> <p>Blow-out proof stem to prevent leakage</p>
Production	<p>Manufactured in Italy under ISO 9001 Quality Management System</p> <p>All valves are pressure tested during production</p>
Technical	<p>Female ISO 7/1 Rp and male ISO/1 R threaded connections</p> <p>Flow capacity: Full bore</p> <p>Flow control: on/off only, not intended for throttling</p> <p>Temperature range: -20°C to 99°C</p> <p>Max. pressure fluids: 8-50mm 2500 kPa</p> <p>Max. pressure gas: All sizes 2100 kPa</p> <p>For pressure ratings at specific temperatures see page 2</p>
Options & Variants	<p>Size range: 8mm to 50mm</p> <p>Series 1051 M&F with standard lever handle</p> <p>Series 1007 F&F with lockable lever handle</p> <p>Series 1016 M&F with lockable DZR brass lever handle</p> <p>Series 1028 M&F with lilac lockable lever handle</p>

BIM-MED^{AUS}



AGA 5301 G
AS 4617



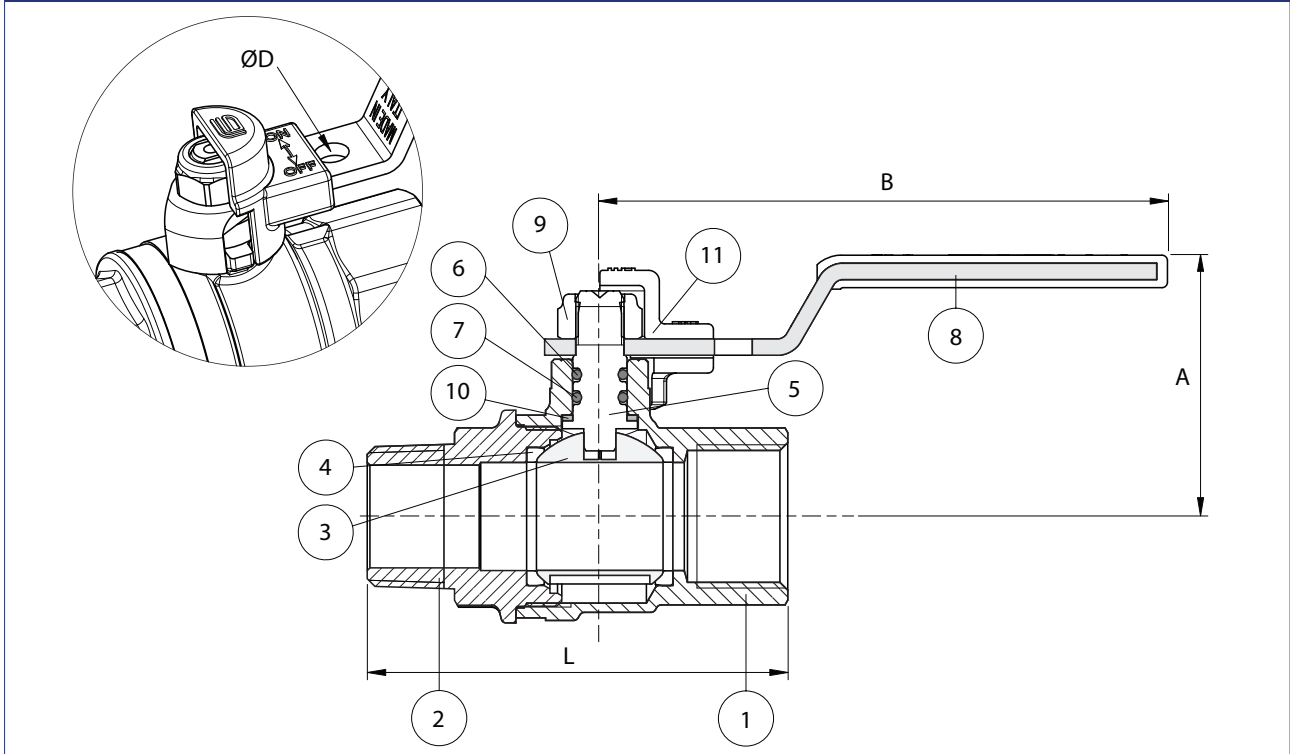
WaterMark
IAPMO WM-000110
AS 5830.1

Series 1008

Zetco WaterMarked & AGA Approved DZR
Brass Ball Valve M&F S/Steel Lockable Lever



DESCRIPTION



PARTS MATERIALS

POS.	PART	MATERIAL
1	BODY	DZR BRASS
2	END ADAPTOR	DZR BRASS
3	BALL	DZR BRASS (CHROME PLATED)
4	SEAL	PTFE
5	STEM	DZR BRASS
6	UPPER O-RING	HNBR
7	LOWER O-RING	EPDM PEROXIDE
8	HANDLE	STAINLESS STEEL 316
9	NUT	STAINLESS STEEL 316
10	THRUST WASHER	PTFE
11	LOCKING MECHANISM	STAINLESS STEEL 316

DIMENSIONS (mm)

Prod. Code	Size	A	B	L	ØD	Kv	Wgt Kg
1008006	8	34	87	51	6	6	0.168
1008010	10	37	87	54	6	8	0.173
1008015	15	38	87	68	6	15	0.245
1008020	20	46	105	78	7	28	0.420
1008025	25	53	105	90	7	39	0.585
1008032	32	64	130	104	8	84	0.975
1008040	40	69	130	114	8	156	1.45
1008050	50	83	165	136	9	243	2.65

PRESSURE/TEMPERATURE GRAPH

